

## Product Information

### WH Cylinders

### Climacyl Slim— Unvented Heat Pump Cylinders

120L—210L



**WORLD HEAT**  
CYLINDERS



**High quality British  
manufactured stainless steel  
domestic hot water solutions  
designed for any application.**

**WH Cylinders manufacture a full range of  
unvented mains pressure domestic hot  
water cylinders for any application.**

All of our cylinders are manufactured from high quality stainless steel under an ISO9001 certified quality management system in our purpose made manufacturing facility in Manchester.

#### Key Features

- High quality stainless steel
- 25 Year manufacturing warranty
- Highly insulated Part L compliant
- Full system unvented kits
- WRAS approved product
- ISO9001 certified quality management
- Pre-plumbed models available



Tudor House  
Tudor Industrial Estate  
Ashton Street  
Dukinfield  
Cheshire  
SK16 4RN

**Tel:** 0161 343 8610  
**Fax:** 0161 343 5585  
**Email:** sales@whcylinders.co.uk

# Indirect Climacyl Dimensional Drawing

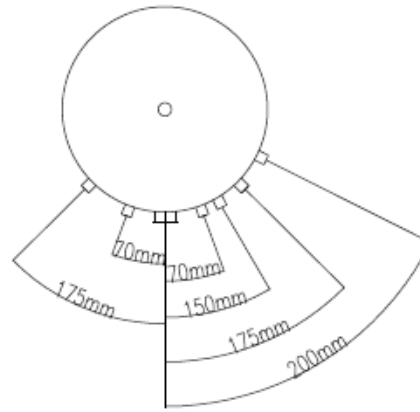
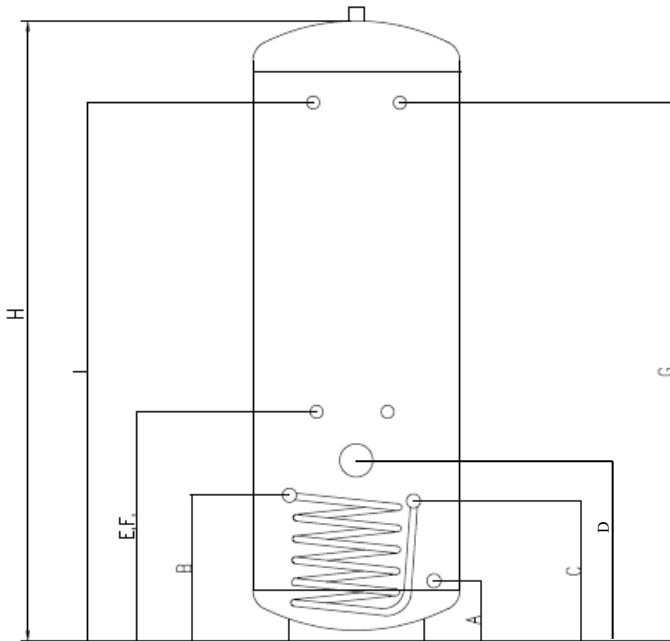
## WH Cylinders

### Climacyl Slim Unvented Heat Pump Cylinders

#### 120L—210L



**WORLD HEAT**  
CYLINDERS



\*All dimensions in mm  
\*\* Connection dimensions may differ from this



| Capacity | Diameter | A<br>C/FEED | B<br>FLOW/RET | C<br>FLOW/RET | D<br>IMMERSION | E & F<br>STATS | G<br>T/P | H<br>HOT D/OFF | I<br>S/RET |
|----------|----------|-------------|---------------|---------------|----------------|----------------|----------|----------------|------------|
| 120      | 475      | 190         | 746           | 746           | 846            | 946            | 950      | 1206           | N/A        |
| 150      | 475      | 190         | 746           | 746           | 846            | 946            | 1214     | 1470           | N/A        |
| 180      | 475      | 190         | 746           | 746           | 846            | 946            | 1594     | 1800           | N/A        |
| 210      | 475      | 190         | 746           | 746           | 846            | 946            | 1794     | 2050           | 1794       |

| Nominal capacity (Litres)                  |   | 120              | 150              | 180              | 210              |
|--|---|------------------|------------------|------------------|------------------|
| Overall packaged dimensions H x W x D (mm) |   | 1250 x 550 x 550 | 1550 x 550 x 550 | 1850 x 550 x 550 | 2100 x 550 x 550 |
| Approximate Weight (KG)                    | Empty   | 35               | 40               | 45               | 50               |
|  | Full  | 155              | 190              | 225              | 260              |
|  | Packaged  | 55               | 60               | 65               | 70               |
| Control & relief valve pressure settings   | Pressure Reducing & Relief Valve                    | 3 Bar / 6 Bar    | 3 Bar / 6 Bar    | 3 Bar / 6 Bar    | 3 Bar / 6 Bar    |
|  | Exp Vessel  | 12L              | 12L              | 12L              | 18L              |
|  | T & P Valve   | 7 Bar            | 7 Bar            | 7 Bar            | 7 Bar            |
| Coil Sizes                                 | DWH   | 2M <sup>2</sup>  | 2M <sup>2</sup>  | 3M <sup>2</sup>  | 3M <sup>2</sup>  |
|  | Solar*  | 1m <sup>2</sup>  | 1m <sup>2</sup>  | 1m <sup>2</sup>  | 1m <sup>2</sup>  |
| Immersion Heater                           | 3KW Single Phase - 230V - 50hz                      |                  |                  |                  |                  |
| Cylinder Material                          | Duplex Stainless Steel                              |                  |                  |                  |                  |
| Insulation Type                            | Polyurethane (PU) Insulation with CO2 Blowing Agent |                  |                  |                  |                  |
| Standing heat loss (Kwh/Annum)             |   | 57.9             | 61.5             | 65.3             | 76.3             |
| Energy Efficiency Class                    |   | C                | C                | C                | C                |
| GWP of Insulation                          |   | 0                | 0                | 0                | 0                |
| ODP of Insulation                          |   | Less than 5      | Less than 5      | Less than 5      | Less than 5      |

\* Solar twin coil units available on request

\*\* Bespoke cylinders available on request

