

Product Information

WH Cylinders

Climacyl— Unvented Heat Pump Cylinders

120L—300L



WORLD HEAT
CYLINDERS



**High quality British
manufactured stainless steel
domestic hot water solutions
designed for any application.**

**WH Cylinders manufacture a full range of
unvented mains pressure domestic hot
water cylinders for any application.**

All of our cylinders are manufactured from high quality stainless steel under an ISO9001 certified quality management system in our purpose made manufacturing facility in Manchester.

Key Features

- High quality stainless steel
- 25 Year manufacturing warranty
- Highly insulated Part L compliant
- Full system unvented kits
- WRAS approved product
- ISO9001 certified quality management
- Pre-plumbed models available



Tudor House
Tudor Industrial Estate
Ashton Street
Dukinfield
Cheshire
SK16 4RN

Tel: 0161 343 8610
Fax: 0161 343 5585
Email: sales@whcylinders.co.uk

Indirect Climacyl Dimensional Drawing

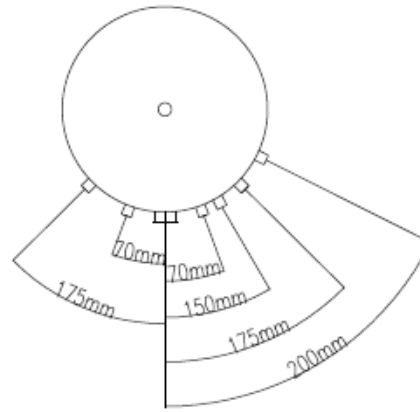
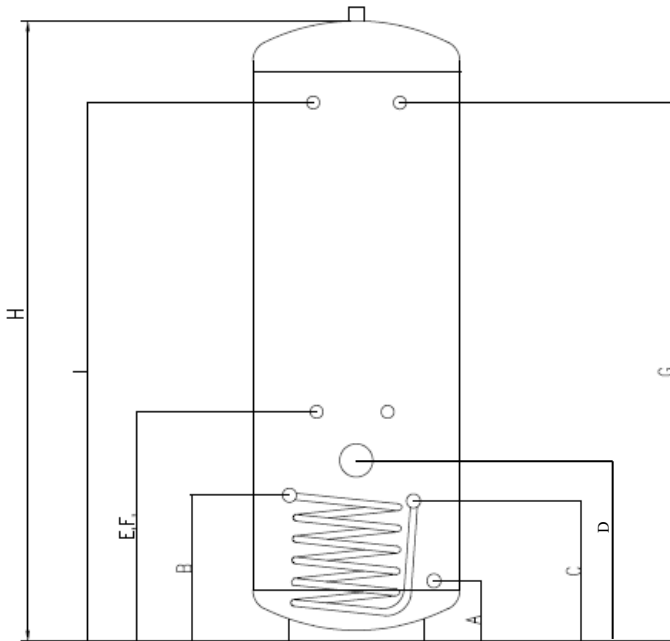
WH Cylinders

Climacyl Unvented Heat Pump Cylinders

120L—300L



WORLD HEAT
CYLINDERS



*All dimensions in mm
** Connection dimensions may differ from this



Capacity	Diameter	A C/FEED	B FLOW/RET	C FLOW/RET	D IMMERSION	E & F STATS	G T/P	H HOT D/OFF	I S/RET
120	550	190	330	330	370	385	580	950	N/A
150	550	190	330	330	370	385	730	1093	N/A
180	550	190	330	330	370	385	950	1281	N/A
210	550	190	365	365	405	465	1150	1469	1200
250	550	190	365	365	405	560	1400	1719	1550
300	550	190	365	365	405	660	1600	2032	1800

Nominal capacity (Litres)		120	150	180	210	250	300
Overall packaged dimensions H x W x D (mm)		1000 x 600 x 600	1250 x 600 x 600	1450 x 600 x 600	1600 x 600 x 600	1920 x 600 x 600	2230 x 600 x 600
Approximate Weight (KG)	Empty	35	40	45	50	55	60
	Full	155	190	225	260	305	360
	Packaged	55	60	65	70	75	80
Control & relief valve pressure settings	Pressure Reducing & Relief Valve	3 Bar / 6 Bar	3 Bar / 6 Bar	3 Bar / 6 Bar	3 Bar / 6 Bar	3 Bar / 6 Bar	3 Bar / 6 Bar
	Exp Vessel	12L	12L	12L	18L	18L	24L
	T & P Valve	7 Bar	7 Bar	7 Bar	7 Bar	7 Bar	7 Bar
Coil Sizes	DWH	2M ²	2M ²	2M ²	3M ²	3M ²	3M ²
	Solar*	1m ²	1m ²	1m ²	1m ²	1m ²	1m ²
Immersion Heater	3KW Single Phase - 230V - 50hz						
Cylinder Material	Duplex Stainless Steel						
Insulation Type	Polyurethane (PU) Insulation with CO2 Blowing Agent						
Standing heat loss (Watts)		57.9	61.5	65.3	76.3	86.4	95.6
Energy Efficiency Class		C	C	C	C	C	C
GWP of Insulation		0	0	0	0	0	0
ODP of Insulation		Less than 5	Less than 5	Less than 5	Less than 5	Less than 5	Less than 5

* Solar twin coil units available on request

** Bespoke cylinders available on request

