

Product Information

WH Cylinders

Climacyl— Unvented Heat Pump Cylinders

210L—400L—600mm Dia.



WORLD HEAT
CYLINDERS



**High quality British
manufactured stainless steel
domestic hot water solutions
designed for any application.**

**WH Cylinders manufacture a full range of
unvented mains pressure domestic hot
water cylinders for any application.**

All of our cylinders are manufactured from high quality stainless steel under an ISO9001 certified quality management system in our purpose made manufacturing facility in Manchester.

Key Features

- High quality stainless steel
- 25 Year manufacturing warranty
- Highly insulated Part L compliant
- Full system unvented kits
- WRAS approved product
- ISO9001 certified quality management
- Pre-plumbed models available



Tudor House
Tudor Industrial Estate
Ashton Street
Dukinfield
Cheshire
SK16 4RN

Tel: 0161 343 8610
Fax: 0161 343 5585
Email: sales@whcylinders.co.uk

Indirect Climacyl Dimensional Drawing

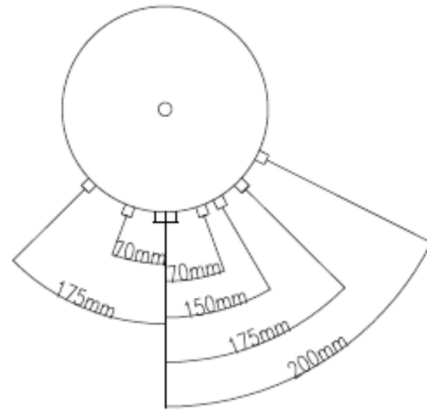
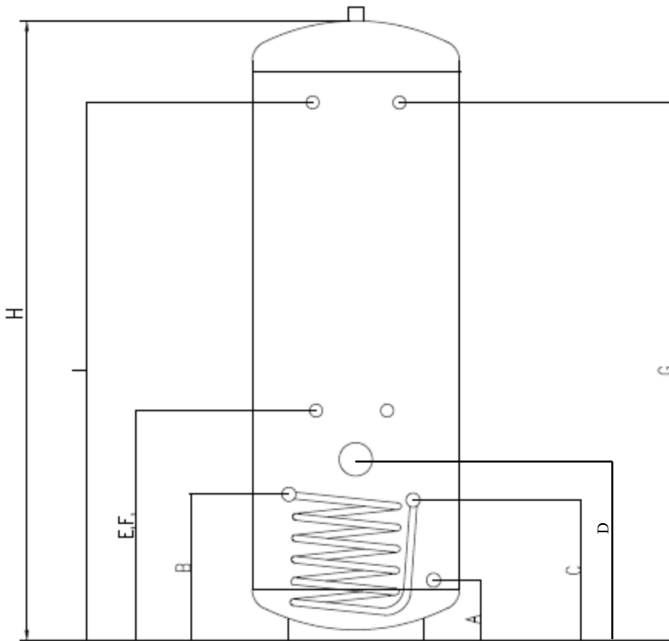
WH Cylinders

Climacyl Unvented Heat Pump Cylinders

210L—400L—600mm Dia.



WORLD HEAT
CYLINDERS



*All dimensions in mm

** Connection dimensions may differ from this table



Capacity	Diameter	A C/FEED	B FLOW/RET	C FLOW/RET	D IMMERSION	E & F STATS	G T/P	H HOT D/OFF	I S/RET
210	600	190	365	365	405	465	917	1105	917
250	600	190	365	365	405	560	1128	1316	1128
300	600	190	365	365	405	660	1392	1580	1392
350	600	190	365	365	405	560	1652	1840	1652
400	600	190	365	365	405	660	1862	2050	1862

Nominal capacity (Litres)		210	250	300	350	400	
Overall packaged dimensions H x W x D (mm)		1300 x 700 x 700	1520 x 700 x 700	1780 x 700 x 700	2040 x 700 x 700	2250 x 700 x 700	
Approximate Weight (KG)	Empty	65	70	75	80	85	
	Full	275	320	375	440	515	
	Packaged	85	90	95	100	105	
Control & relief valve pressure settings	Pressure Reducing & Relief Valve	3 Bar / 6 Bar	3 Bar / 6 Bar	3 Bar / 6 Bar	3 Bar / 6 Bar	3 Bar / 6 Bar	
	Exp Vessel	18L	18L	24L	35L	35L	
	T & P Valve	7 Bar	7 Bar	7 Bar	7 Bar	7 Bar	
Coil Sizes	DWH	3M ²	3M ²	3M ²	3M ²	3M ²	
	Solar*	1m ²	1m ²	1m ²	1m ²	1m ²	
Immersion Heater	3KW Single Phase - 230V - 50hz						
Cylinder Material	Duplex Stainless Steel						
Insulation Type	Polyurethane (PU) Insulation with CO2 Blowing Agent						
Standing heat loss (Watts)		57.9	61.5	65.3	76.3	86.4	
Energy Efficiency Class		C	C	C	C	C	
GWP of Insulation		0	0	0	0	0	
ODP of Insulation		Less than 5	Less than 5	Less than 5	Less than 5	Less than 5	

* Solar twin coil units available on request

** Bespoke cylinders available on request

