

Product Information

WH Cylinders Super Flow Indirect 210L—400L 600mm Diameter Hot Water Cylinders



WORLD HEAT
CYLINDERS



**High quality British
manufactured stainless steel
domestic hot water solutions
designed for any application.**



Tudor House
Tudor Industrial Estate
Ashton Street
Dukinfield
Cheshire
SK16 4RN

Tel: 0161 343 8610
Fax: 0161 826 1661
Email: sales@worldheat.co.uk

WH Cylinders manufacture a full range of unvented mains pressure domestic hot water cylinders for any application.

All of our cylinders are manufactured from high quality stainless steel under an ISO9001 certified quality management system in our purpose made manufacturing facility in Manchester.

Key Features

- High quality stainless steel
- 25 Year manufacturing warranty subject to annual maintenance
- Highly insulated Part L compliant
- WRAS approved product
- ISO9001 certified quality management
- Pre-plumbed for ease of Installation

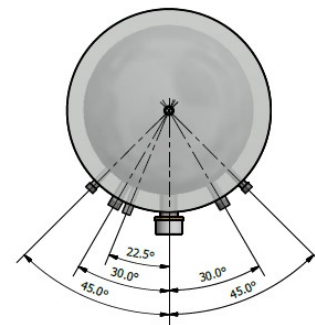
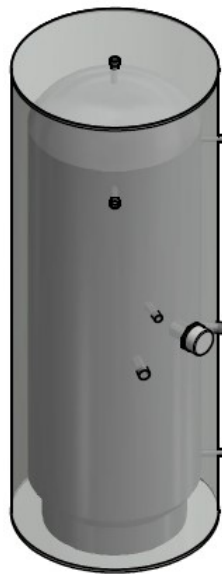
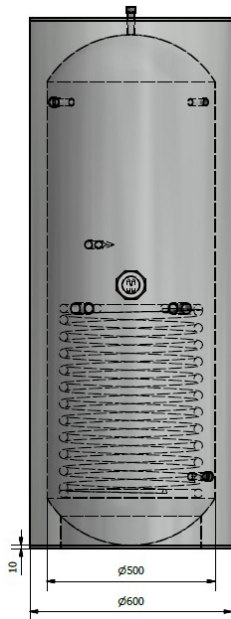
Indirect Super Flow Dimensional Drawing

WH Cylinders Super Flow Indirect 210L—400L—600 Dia.

Pre-Plumbed Hot Water Cylinders



WORLD HEAT
CYLINDERS



Dimension									
Capacity (Litres)	Height & 22mm Comp Hot Draw off	Width	Depth	22mm Comp C/Feed & 22mm Stub Return	22mm Stub Coil Flow & Return	1 3/4" Female Immersion Heater	Stat Pocket	1/2" Female Temperature & Pressure Relief	22mm Comp Secondary Return
210	1105mm	600mm	700mm	917mm	590mm	690mm	740mm	917mm	917mm
250	1316mm	600mm	700mm	1128mm	590mm	690mm	740mm	1128mm	1128mm
300	1580mm	600mm	700mm	1392mm	590mm	690mm	740mm	1392mm	1392mm
350	1840mm	600mm	700mm	1652mm	590mm	690mm	740mm	1652mm	1652mm
400	2050mm	600mm	700mm	1862mm	590mm	690mm	740mm	1862mm	1862mm

Nominal capacity (Litres)		210	250	300	350	400
Overall packaged dimensions H x W x D (mm)		1300 x 700 x 700	1520 x 700 x 700	1780 x 700 x 700	2040 x 700 x 700	2250 x 700 x 700
Approximate Weight (KG)	Empty	65	70	75	80	85
	Full	275	320	375	440	515
	Packaged	85	90	95	100	105
Control & relief valve pressure settings	Pressure Reducing & Relief Valve	3 Bar / 6 Bar	3 Bar / 6 Bar	3 Bar / 6 Bar	3 Bar / 6 Bar	3 Bar / 6 Bar
	Exp Vessel	18L	18L	24L	35L	35L
	T & P Valve	7 Bar	7 Bar	7 Bar	7 Bar	7 Bar
Immersion Heater	3KW Single Phase - 230V - 50hz					
Cylinder Material	Duplex Stainless Steel					
Insulation Type	Polyurethane (PU) Insulation with CO2 Blowing Agent					
Insulation thickness (mm)		50	50	50	50	50
Standing heat loss		1.85	2.1	2.31	2.47	2.62
GWP of Insulation		Less than 5	Less than 5	Less than 5	Less than 5	Less than 5
ODP of Insulation		0	0	0	0	0
ERP Rating		C	C	C	C	C

